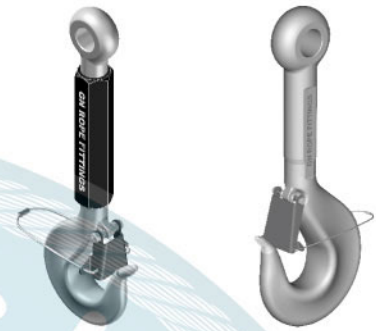


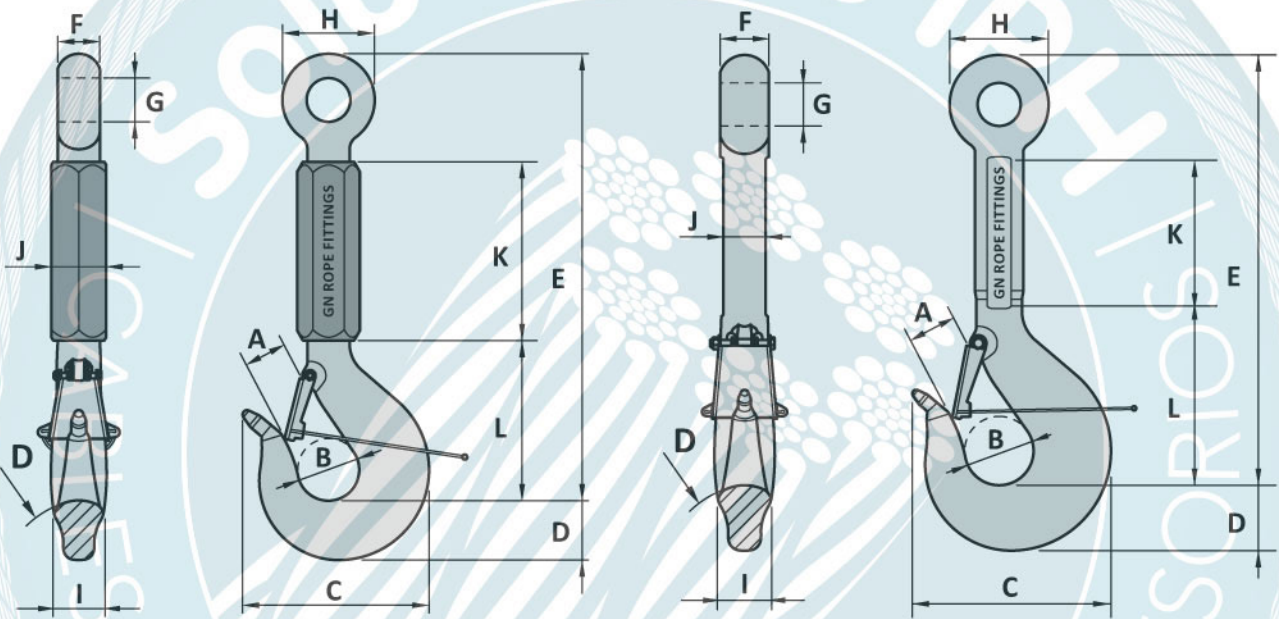
ROV SHANK HOOK

TYPE HK5

Material : Alloy steel quenched and tempered
 Safety factor : 4 times
 Finish : Painted
 Temperature range : -40°C up to +200°C; Polar Rated
 Standard certification : Certificate of Conformity
 3.1 material certificate EN 10204



Non-standard sizes or custom products available on request



Type for hook WLL 5.4 ton ≤ WLL 80 ton

Type for hook WLL 100 ton ≤ WLL 400 ton

Art. No.	WLL ton	MBL ton	A mm	B mm	C mm	D mm	E mm	F mm	G mm	H mm	I mm	J mm	K mm	L mm	Weight kg
53000005	5.4	21.6	34	50	161	40	515	34	31	68	32	45	250	150	5.3
53000012	12.5	50	41	63	200	58	565	45	40	90	45	60	260	180	12
53000016	16	64	49	70	224	67	610	48	44	102	53	60	280	190	17
53000025	25	100	55	80	248	75	650	56	52	105	60	70	270	230	22
53000032	32	128	59	90	288	85	800	65	60	130	67	80	360	265	35
53000040	40	160	69	100	316	95	820	70	70	150	75	85	330	285	47
53000050	50	200	76	112	343	106	850	80	78	175	85	100	350	285	62
53000063	63	252	84	125	376	118	900	85	86	200	95	110	360	322	88
53000080	80	320	97	140	418	132	950	100	86	210	106	120	290	390	111
53000100	100	400	110	160	462	150	1000	110	100	228	118	98	320	400	155
53000125	125	500	132	180	509	170	1050	124	100	260	132	106	280	450	209
53000160	160	640	137	200	584	190	1100	138	130	300	150	120	280	480	317
53000200	200	800	167	224	648	212	1200	160	130	350	170	136	280	510	367
53000250	250	1000	188	250	740	236	1250	180	145	370	190	150	300	540	617
53000300	300	1200	205	280	825	265	1320	190	160	405	212	160	300	580	730
53000400	400	1600	225	315	920	300	1400	210	185	465	236	180	300	630	1000

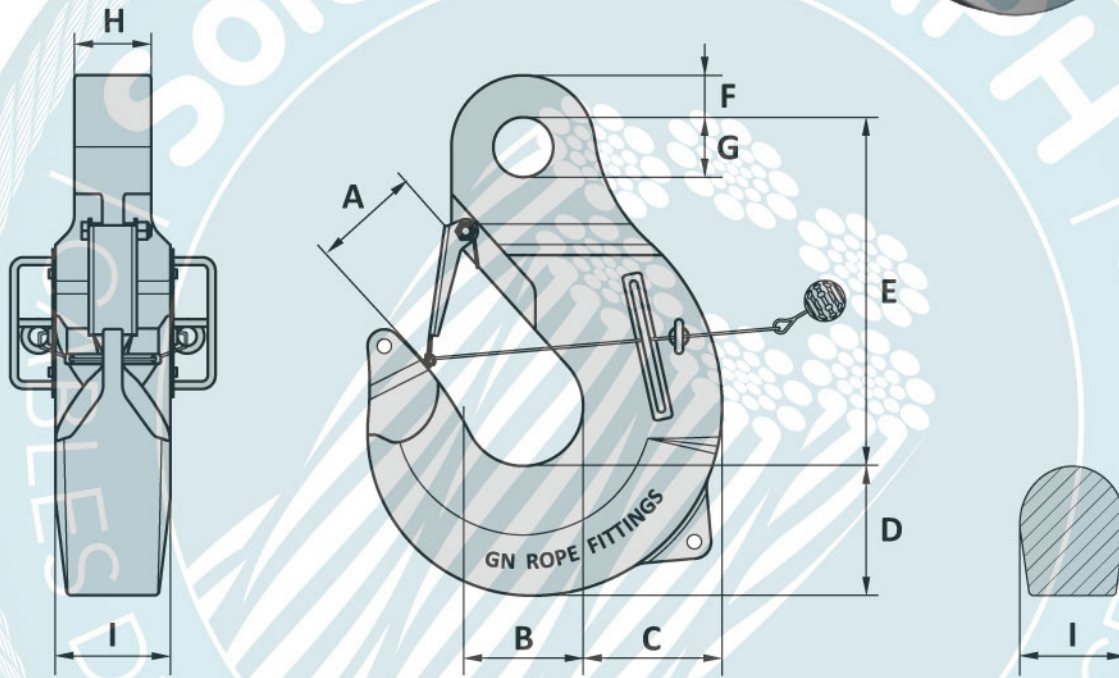
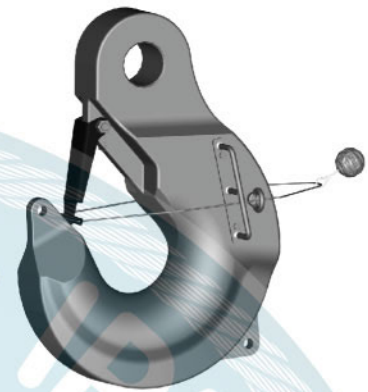
Tolerance: Forged parts ± 5%, machined parts ± 1 mm

SOFTSLING FRIENDLY ROV HOOK

TYPE HK14

Material : Forged steel
 Safety : 4 times
 Finish : Painted
 Temperature range : -40°C up to +200°C; Polar Rated
 Standard certification : Certificate of Conformity
 3.1 material certificate EN 10204

Non-standard sizes or custom products available on request



Art. No.	WLL ton	MBL ton	A mm	B mm	C mm	D mm	E mm	F mm	G mm	H mm	I mm	Weight kg
73000050	50	200	103	120	140	125	392	49	73	60	90	66
73000063	63	250	109	130	160	140	423	53	85	70	100	90
73000080	80	320	119	140	180	160	465	60	90	80	120	133
73000100	100	400	142	160	190	165	530	65	110	100	140	187
73000150	150	600	157	180	230	200	590	70	120	120	180	314
73000200	200	800	180	210	260	230	675	80	130	150	200	467
73000250	250	1000	218	250	290	260	750	90	150	170	230	656
73000300	300	1200	259	300	320	290	865	100	160	180	260	915
73000400	400	1600	280	320	350	320	910	105	180	200	300	1218
73000500	500	2000	294	340	390	340	985	110	190	220	320	1541
73000600	600	2400	304	350	420	370	1035	120	210	250	340	1883
73000700	700	2800	317	360	450	390	1060	125	220	280	380	2290
73000800	800	3200	327	380	500	440	1180	140	240	300	400	2994

Tolerance: Machined parts ± 1 mm